

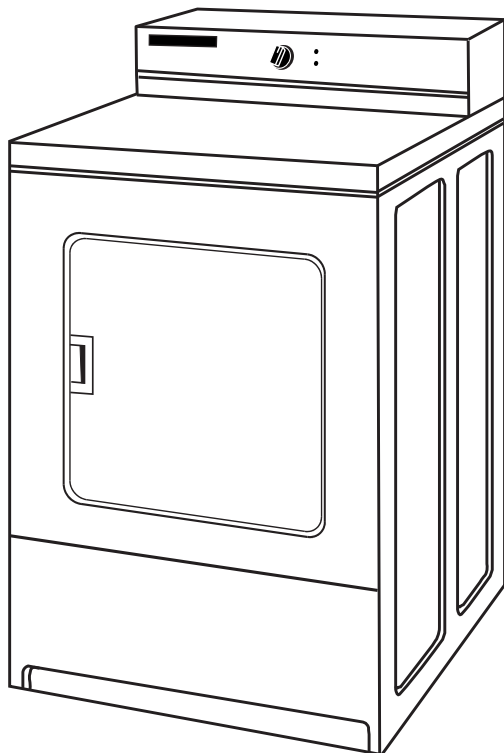


INSTALLATION INSTRUCTIONS COMMERCIAL DRYER
Electric

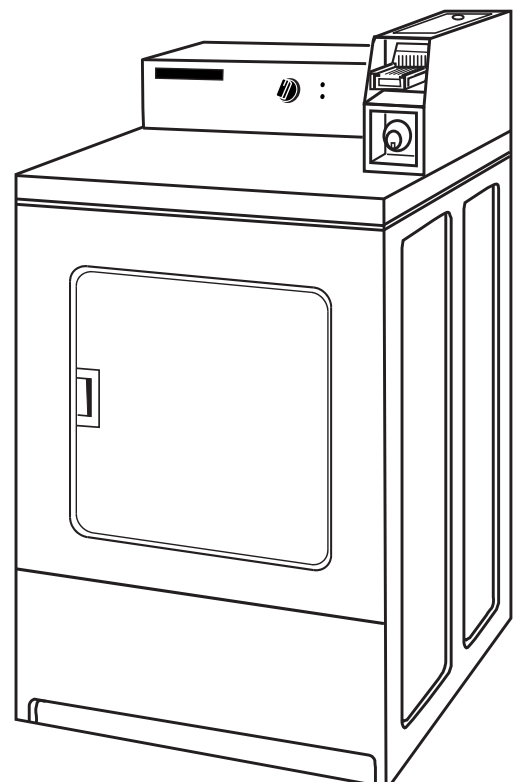
INSTRUCTIONS POUR L'INSTALLATION
D'UN SECHE-LINGE COMMERCIAL
Electrique

INSTRUCCIONES DE INSTALACIÓN
SECADORA COMERCIAL
Eléctrica

ISTRUZIONI DI INSTALLAZIONE
ASCIUGATRICE COMMERCIALE
Elettrica



MDE17MN



MDE17CS

TABLE OF CONTENTS

| | | | |
|--|----------|---|----------|
| DRYER SAFETY | 2 | INSTALLATION INSTRUCTIONS – ELECTRIC DRYER | 7 |
| INSTALLATION REQUIREMENTS | 3 | Install Leveling Legs..... | 7 |
| Tools and Parts | 3 | Electrical Connection..... | 7 |
| Location Requirements..... | 4 | Connect Vent | 7 |
| Electrical Requirements | 5 | Complete Installation | 7 |
| Venting Requirements | 5 | MAINTENANCE INSTRUCTIONS | 8 |

TABLE DES MATIERES

| | | | |
|---|----------|--|-----------|
| SECURITE DU SECHE-LINGE | 9 | INSTRUCTIONS D'INSTALLATION – SECHE-LINGE | |
| EXIGENCES D'INSTALLATION | 9 | ELECTRIQUE | 14 |
| Outillage et pièces | 9 | Installation des pieds de nivellement..... | 14 |
| Exigences d'emplacement | 10 | Raccordement électrique | 14 |
| Spécifications électriques | 11 | Raccordement du conduit d'évacuation | 14 |
| Exigences concernant l'évacuation | 12 | Achever l'installation | 14 |
| | | INSTRUCTIONS D'ENTRETIEN | 15 |

ÍNDICE

| | | | |
|--|-----------|---|-----------|
| SEGURIDAD DE LA SECADORA | 16 | INSTRUCCIONES DE INSTALACIÓN – | |
| REQUISITOS DE INSTALACIÓN | 16 | SECADORA ELÉCTRICA | 20 |
| Piezas y herramientas | 16 | Instalación de las patas niveladoras..... | 20 |
| Requisitos de ubicación..... | 17 | Conexión eléctrica | 20 |
| Requisitos eléctricos | 18 | Conexión del ducto de escape | 21 |
| Requisitos de ventilación | 18 | Complete la instalación | 21 |
| | | INSTRUCCIONES DE MANTENIMIENTO | 21 |

INDICE

| | | | |
|--|-----------|--|-----------|
| SICUREZZA DELL'ASCIUGATRICE | 22 | ISTRUZIONI D'INSTALLAZIONE – ASCIUGATRICE | |
| REQUISITI D'INSTALLAZIONE | 22 | ELETTRICA | 26 |
| Attrezzi e componenti..... | 22 | Installazione dei piedini di regolazione | 26 |
| Requisiti di ubicazione | 23 | Connessione elettrica | 26 |
| Requisiti elettrici | 24 | Connessione dello scarico | 26 |
| Requisiti di scarico | 24 | Completamento dell'installazione | 26 |
| | | ISTRUZIONI DI MANUTENZIONE | 27 |

DRYER SAFETY

Your safety and the safety of others are very important.

We have provided many important safety messages in this manual and on your appliance. Always read and obey all safety messages.



This is the safety alert symbol.

This symbol alerts you to potential hazards that can kill or hurt you and others.

All safety messages will follow the safety alert symbol and either the word "DANGER" or "WARNING."

These words mean:

⚠ DANGER

You can be killed or seriously injured if you don't immediately follow instructions.

⚠ WARNING

You can be killed or seriously injured if you don't follow instructions.

All safety messages will tell you what the potential hazard is, tell you how to reduce the chance of injury, and tell you what can happen if the instructions are not followed.

FOR YOUR SAFETY

Do not store or use petrol or other flammable vapors in the vicinity of this or any other appliance.

INSTALLATION REQUIREMENTS

Tools and Parts

Gather the required tools and parts before starting installation. Read and follow the instructions provided with any tools listed here.

Tools needed

- 20 cm (8") or 25 cm (10") Pipe wrench
- 20 cm (8") or 25 cm (10") adjustable wrench
- Flat-blade screwdriver
- Phillips screwdriver
- Adjustable wrench that opens to 2.5 cm (1") or hex-head socket wrench
- Level
- 8 mm ($\frac{5}{16}$ ") socket wrench
- Utility knife
- Vent clamps
- Caulk gun and caulk (for installing new exhaust vent)
- Pliers
- Putty knife

Parts supplied

Remove parts bag from dryer drum. Check that all parts were included.

- Foot boot (4)
- Dryer foot (4)

Location Requirements

⚠ WARNING



Explosion Hazard

Keep flammable materials and vapors, such as petrol, away from dryer.

Do not install in a garage.

Failure to do so can result in death, explosion, or fire.

IMPORTANT: Observe all governing codes and ordinances.

■ Check code requirements: Some codes limit or do not permit installation of clothes dryers in garages, closets, or sleeping quarters. Contact your local building inspector.

NOTE: The dryer must not be installed in an area where it will be exposed to water and/or weather.

Recessed Area and Closet Installation Instructions

This dryer may be installed in a recessed area or closet.

This dryer must not be installed behind a lockable door, a sliding door, or a door with a hinge on the opposite side to that on the dryer.

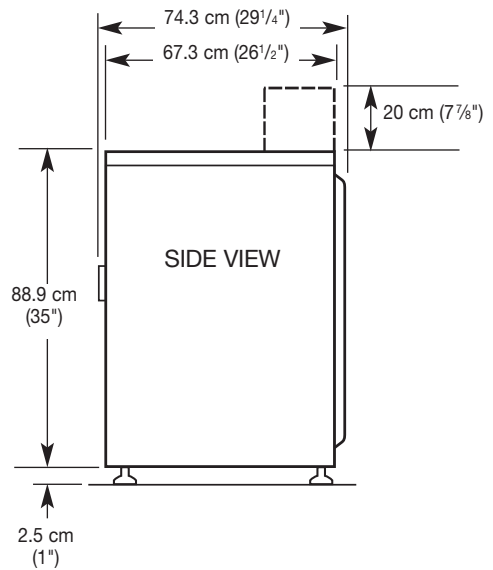
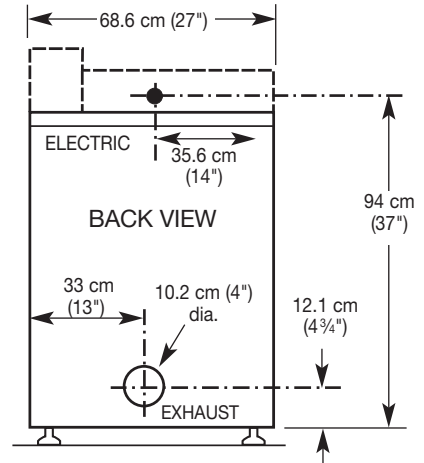
The installation spacing is in cm and is the minimum allowable. Additional spacing should be considered for ease of installation, servicing, and compliance with local codes and ordinances.

If closet door is installed, the minimum unobstructed air opening in the top and bottom is required. Louvered doors with equivalent air openings are acceptable.

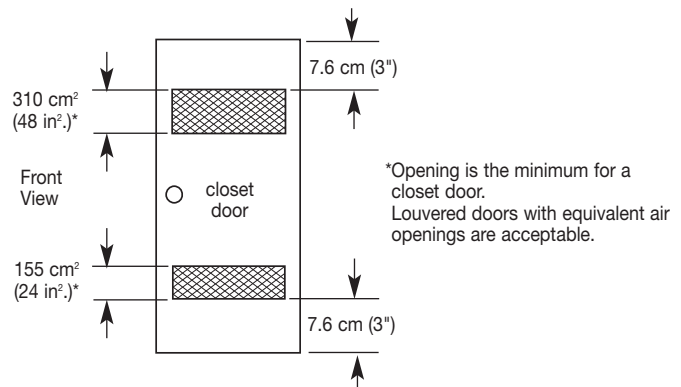
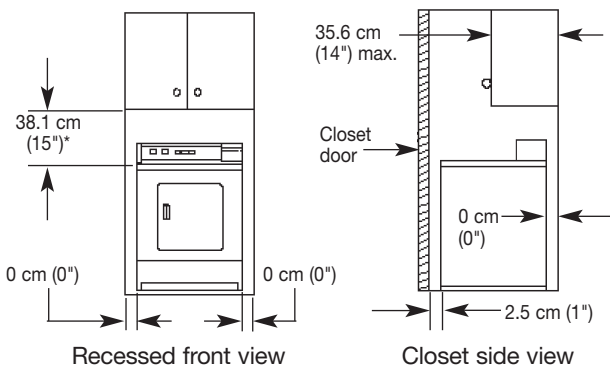
The dryer must be exhausted outdoors.

No other fuel-burning appliance may be installed in the same closet as the dryer.

Product Dimensions 68.6 cm (27") dryer



Minimum Installation Clearances



*Opening is the minimum for a closet door. Louvered doors with equivalent air openings are acceptable.

Additional clearances for wall, door, and floor moldings may be required or if external exhaust elbow is used.

Electrical Requirements

This dryer is supplied without an electric cord and plug. It must be connected by a competent electrician to a single-phase electricity supply at the voltage shown on the dataplate, using a suitable fixed wiring installation in accordance with local and national wiring regulations.

- A 3-wire circular cord of minimum conductor size 2.5 mm² cross-section area should be used.
- A 30A supply fuse should be used, and a switch having a contact separation in both poles that provides full disconnection under over-voltage category III conditions must be incorporated into the fixed wiring in accordance with local wiring regulations. The dryer should be positioned so that the disconnection switch is easily accessible to the user.
- A cord clamp bush is provided on the dryer, and should be tightened on completion of wiring. The electrical mains terminals are located behind the small rear access panel (terminal block cover), and connections should be made in accordance with the terminal markings. Remember to replace the terminal access panel (terminal block cover).

NOTE: In accordance with the European EMC Directive (2004/108/EC), the maximum electricity supply system impedance to which the electric dryer should be connected is declared to be 0.302 Ohm + j0.189 Ohm.

⚠ WARNING



Electric Shock Hazard

Electric earthing is required on this dryer.

Do not earth to a gas pipe.

Do not have a fuse in the neutral or earthing circuit.

Check with a qualified electrician to be sure the dryer is properly earthed.

Failure to follow these instructions could result in death, fire, or serious injury.

If codes permit and an additional earth bond wire is used, it is recommended that a qualified electrician determine that the earth bond path is adequate.

Recommended Earthing Method

- It is your responsibility to contact a qualified electrical installer to ensure that the electrical installation is adequate and in conformance with all local codes and ordinances.

Venting Requirements

⚠ WARNING



Fire Hazard

Use a heavy metal vent.

Do not use a plastic vent.

Do not use a metal foil vent.

Failure to follow these instructions can result in death or fire.

WARNING: To reduce the risk of fire, this dryer **MUST BE EXHAUSTED OUTDOORS.**

- Adequate ventilation has to be provided to avoid the backflow of gases into the room from appliances burning other fuels, including open fires (i.e. available airflow into the room should match airflow out from the room).
- The dryer vent must not be discharged into a flue which is used for exhausting fumes from appliances burning gas or other fuels, chimney, wall, ceiling, or a concealed space of a building.
- Do not use an exhaust hood with a magnetic latch.
- Do not install flexible metal vent in enclosed walls, ceilings, or floors.
- 102 mm (4") heavy metal vent and clamps must be used.
- Use clamps to seal all joints. Vent must not be connected or secured with screws or other fastening devices which extend into the interior of the vent. Do not use duct tape.

IMPORTANT: Observe all governing codes and ordinances.

Use a heavy metal vent. Do not use plastic or metal foil vent.

Rigid metal vent is recommended to prevent crushing and kinking.

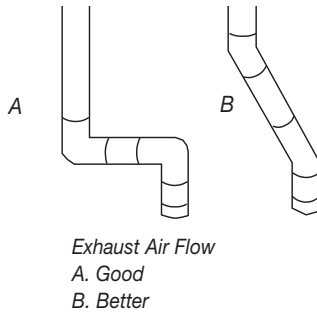
Flexible metal vent must be fully extended and supported when the dryer is in its final position. Remove excess flexible metal vent to avoid sagging and kinking that may result in reduced airflow and poor performance.

An exhaust hood should cap the vent to prevent rodents and insects from entering the home or business.

Exhaust hood must be at least 30.5 cm (12") from the ground or any object that may be in the path of the exhaust (such as flowers, rocks, or bushes).

If using an existing vent system, clean lint from the entire length of the system and make sure exhaust hood is not plugged with lint. Replace any plastic or metal foil vent with rigid metal or flexible metal vent.

Plan installation to use the fewest number of elbows and turns.



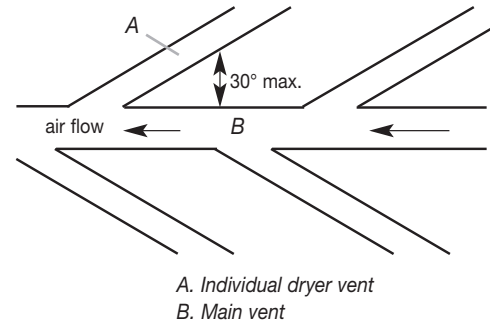
Allow as much room as possible when using elbows or making turns. Bend vent gradually to avoid kinking.

Vent outlet is located at the center of the bottom dryer back.

The vent can be routed up, down, left, right, behind the dryer, or straight out the back of the dryer.

Each vent should enter the main vent at an angle pointing in the direction of the airflow. Vents entering from the opposite side should be staggered to reduce the exhausted air from interfering with the other vents.

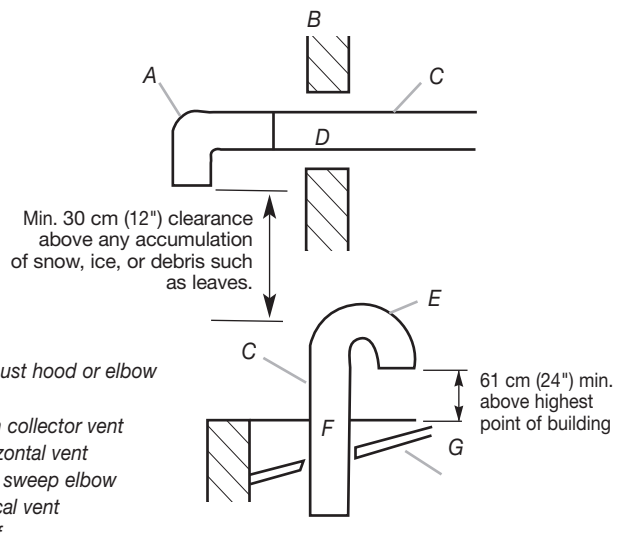
The maximum angle of each vent entering the main vent should be no more than 30°.



Keep air openings free of dry cleaning fluid fumes. Fumes create acids which, when drawn through the dryer heating units, can damage dryers and loads being dried.

A clean-out cover should be located on the main vent for periodic cleaning of the vent system.

If an exhaust hood cannot be used:



The outside end of the main vent should have a sweep elbow directed downward. If the main vent travels vertically through the roof, rather than through the wall, install a 180° sweep elbow on the end of the vent at least 61 cm (2 ft.) above the highest part of the building. The opening in wall or roof shall have a diameter 13 mm (½") larger than the vent diameter. The vent should be centered in the opening.

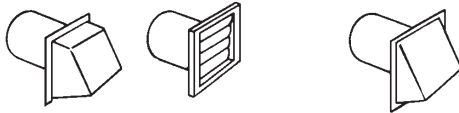
Do not install screening or cap over the end of the vent.

Vent System Length

Maximum length of vent system depends upon the type of vent used, number of elbows, and type of exhaust hood.

Maximum Vent Length

102 mm (4") Diameter Exhaust Hoods



Rigid Metal Vent

| No. of 90° turns | Box Hood and Louvered Style | Angled Hood Style |
|------------------|-----------------------------|-------------------|
| 0 | 19.5 m (64 ft.) | 17.7 m (58 ft.) |
| 1 | 16.5 m (54 ft.) | 14.6 m (48 ft.) |
| 2 | 13.4 m (44 ft.) | 11.6 m (38 ft.) |
| 3 | 10.7 m (35 ft.) | 8.8 m (29 ft.) |
| 4 | 8.2 m (27 ft.) | 6.4 m (21 ft.) |

If dryer is installed in a confined area, such as a bedroom, bathroom, or closet, provision must be made for enough air for combustion and ventilation. (Check governing codes and ordinances.) See "Recessed Area and Closet Installation Instructions" in the "Location requirements" section.

A 10.2 cm (4") outlet hood is preferred. However, a 6.4 cm (2½") outlet exhaust hood may be used. A 6.4 cm (2½") outlet creates greater back pressure than other hood types. For permanent installation, a stationary vent system is required.

Multiple Dryer Venting

- A main vent can be used for venting a group of dryers. Main vent should be sized to remove 5663 l/min (200 CFM) of air per dryer. Large-capacity lint screens of proper design may be used in the main vent if checked and cleaned frequently. The room where the dryers are located should have make-up air equal to or greater than the airflow of all the dryers in the room.
- Back-draft Damper Kit, Part No. 3391910, is available from your dealer and should be installed in each dryer's vent to prevent exhausted air from returning into the dryers and to keep the exhaust in balance within the main vent. Unobstructed air openings are required.

INSTALLATION INSTRUCTIONS - ELECTRIC DRYER

Install Leveling Legs

WARNING

Excessive Weight Hazard

**Use two or more people to move and install dryer.
Failure to do so can result in back or other injury.**

NOTE: Slide dryer onto cardboard or hardboard before moving to avoid damaging floor covering.

1. Using two or more people, move dryer to desired installation location.
2. Take tape off front corners of dryer. Open dryer and remove the literature and parts packages. Wipe the interior of the drum thoroughly with a damp cloth.
3. Take two of the cardboard corners from the carton and place them on the floor in back of the dryer. Firmly grasp the body of the dryer and gently lay it on its back on the cardboard corners.
4. With one of the legs in hand, check the ridges for a diamond marking. That's how far the leg is supposed to go into the hole.
5. Start to screw the leveling legs into the holes by hand. (Use a small amount of liquid detergent to lubricate the screw threads so it is easier to turn the legs.) Use a 1" (25 mm) wrench or socket wrench to finish turning the legs until you reach the diamond mark. Then fit a protective foot boot over each foot.
Now stand the dryer up.
6. Remove cardboard or hardboard from under dryer. Adjust the legs of the dryer up or down until the dryer is level.

Electrical Connection

WARNING



Electric Shock Hazard

**This dryer must be earthed.
Securely tighten all electrical connections.
Failure to do so can result in death, fire, or electric shock.**

This is a 3-wire dryer which must be earthed.

This dryer is supplied without an electric cord and plug; it must be connected by a competent electrician. See "Electrical Requirements."

Connect Vent

1. Using a 102 mm (4") clamp, connect vent to exhaust outlet in dryer. If connecting to existing vent, make sure the vent is clean. The dryer vent must fit over the dryer exhaust outlet and inside the exhaust hood. Make sure the vent is secured to exhaust hood with a 102 mm (4") clamp.
2. Move dryer into final position. Do not crush or kink vent. Make sure dryer is level.

Complete Installation

1. With dryer in final position, place level on top of the dryer, first side to side; then front to back. If the dryer is not level, adjust the legs of the dryer up or down until the dryer is level.
2. Switch on power supply.
3. Check dryer operation (some accumulated time may be on the timer due to factory testing).
Insert coins in slide and press slide in slowly. (Operating time will accumulate per number of coins and type of timing cam used.) Push START/RESTART button. Using a full heat cycle (not the air cycle), let the dryer run for at least five minutes. Dryer will stop when time is used up.
NOTE: Dryer door must be closed for dryer to operate. When door is open, dryer stops, but timer continues to run. To restart dryer, close door and push START/RESTART button.
4. If drying time is too long, make sure lint screen is clean.
5. Now start the dryer and allow it to complete a full heat cycle (not air cycle) to make sure it is working properly.

MAINTENANCE INSTRUCTIONS

Maintenance instructions:

- Clean lint screen after each cycle.
- Removing accumulated lint:
 - From inside the dryer cabinet:

Lint should be removed every 2 years or more often, depending on dryer usage. Cleaning should be done by a qualified person.
 - From the exhaust vent:

Lint should be removed every 2 years, or more often, depending on dryer usage.

If dryer does not operate check the following:

- Electric supply is connected.
- Circuit breaker is not tripped or house fuse is not blown.
- Door is closed.
- Controls are set in a running or “ON” position.
- START button has been pushed firmly.

If you need assistance:

Contact your authorized Maytag Commercial Laundry distributor. When you call, you will need the dryer model number and serial number. Both numbers can be found on the serial-rating plate located on your appliance. Or visit: www.MaytagCommercialLaundry.com.

SECURITE DU SECHE-LINGE

Votre sécurité et celle des autres est très importante.

Nous donnons de nombreux messages de sécurité importants dans ce manuel et sur votre appareil ménager. Assurez-vous de toujours lire tous les messages de sécurité et de vous y conformer.



Voici le symbole d'alerte de sécurité.

Ce symbole d'alerte de sécurité vous signale les dangers potentiels de décès et de blessures graves à vous et à d'autres.

Tous les messages de sécurité suivront le symbole d'alerte de sécurité et le mot "DANGER" ou "AVERTISSEMENT". Ces mots signifient :

! DANGER

Risque possible de décès ou de blessure grave si vous ne suivez pas immédiatement les instructions.

! AVERTISSEMENT

Risque possible de décès ou de blessure grave si vous ne suivez pas les instructions.

Tous les messages de sécurité vous diront quel est le danger potentiel et vous disent comment réduire le risque de blessure et ce qui peut se produire en cas de non-respect des instructions.

POUR VOTRE SÉCURITÉ

Ne pas entreposer ni utiliser de l'essence ou d'autres produits liquides ou gazeux inflammables à proximité de cet appareil ou de tout autre appareil électroménager.

EXIGENCES D'INSTALLATION

Outillage et pièces

Rassembler les outils et pièces nécessaires avant de commencer l'installation. Lire et respecter les instructions d'installation fournies avec chacun des outils de cette liste.

Outillage nécessaire

- Clé à tuyauterie de 20 cm (8") ou 25 cm (10")
- Clé à molette de 20 cm (8") ou 25 cm (10")
- Tournevis à lame plate
- Tournevis Phillips
- Clé à molette avec ouverture jusqu'à 25 mm (1") ou clé à douille hexagonale
- Niveau
- Clé à douille de 8 mm ($\frac{5}{16}$ ")
- Couteau utilitaire
- Brides de fixation
- Pistolet à calfeutrage et composé de calfeutrage (pour l'installation d'un nouveau circuit d'évacuation)
- Pince
- Couteau à mastic

Pièces fournies

Retirer le sac de pièces du tambour du sèche-linge. Vérifier la présence de toutes les pièces.

- Patin (4)
- Pied du sèche-linge (4)

Exigences d'emplacement

AVERTISSEMENT



Risque d'explosion

Garder les matières et les vapeurs inflammables, telle que l'essence, loin de la sècheuse.

Ne pas installer dans un garage.

Le non-respect de ces instructions peut causer un décès, une explosion ou un incendie.

IMPORTANT : Respecter les dispositions de tous les codes et règlements en vigueur.

- Déterminer les exigences des codes : Certains codes limitent ou prohibent l'installation d'un sèche-linge dans un garage, un placard, ou une chambre à coucher. Consulter l'inspecteur local des bâtiments.

REMARQUE : Le sèche-linge ne doit pas être installé en un endroit où il serait exposé à de l'eau ou aux intempéries.

Instructions pour l'installation dans un placard ou un encastrement

Cette sècheuse peut être installée dans un placard ou un encastrement. Ce sèche-linge ne doit pas être installé derrière une porte verrouillable, coulissante, ou une porte avec charnière du côté opposé de l'emplacement de celle du sèche-linge.

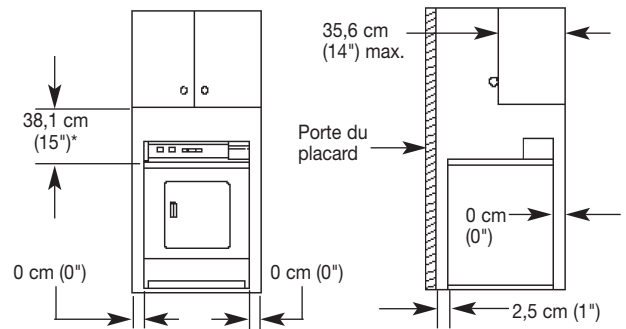
Les distances de séparation sont exprimées en centimètres; il s'agit des distances minimales. Il est utile de prévoir des distances de séparation supérieures pour faciliter l'installation et les travaux d'entretien, ou si ceci est exigé par les codes et règlements locaux.

Si la porte du placard est installée, on doit respecter la taille minimale des ouvertures d'entrée d'air au sommet et en bas. On peut utiliser une porte à claire-voie offrant une surface de passage d'air équivalente.

Le circuit d'évacuation du sèche-linge doit être relié à l'extérieur.

Aucun autre appareil utilisant un combustible ne doit être installé dans le même placard.

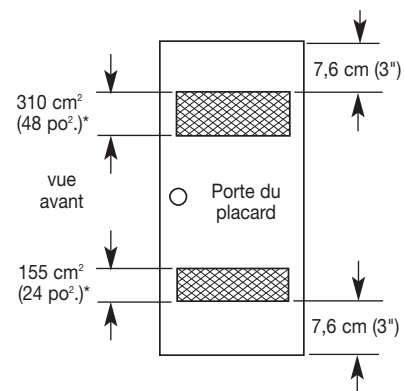
Distances de séparation minimales



Encastrement, vue avant

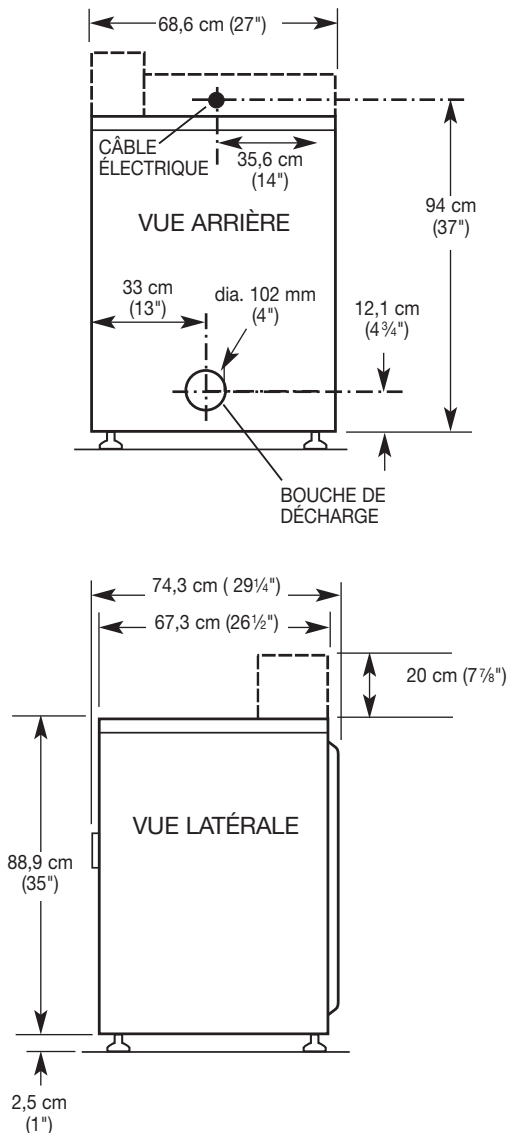
Placard, vue latérale

On doit prévoir un espacement additionnel pour tenir compte éventuellement des moulures du mur, de la porte et du plancher, ou si le circuit d'évacuation comporte un coude.



* Taille minimale de l'ouverture pour la porte du placard. On peut utiliser une porte à claire-voie offrant une surface de passage d'air équivalente.

Dimensions du produit – Sèche-linge de 68,6 cm (27")



Spécifications électriques

Ce sèche-linge est livré sans cordon d'alimentation électrique et sans prise. Il doit être raccordé par un électricien compétent à une source d'alimentation électrique monophasée, de tension telle qu'indiquée sur la plaque signalétique en utilisant un câblage fixe approprié, conformément aux règlements locaux et nationaux.

- Un cordon circulaire à 3 fils avec des conducteurs d'au moins 2,5 mm² de section doit être utilisé.
- Un fusible de 30A doit être utilisé sur l'alimentation et un sectionneur bipolaire sur les deux lignes doit être incorporé dans le câblage fixe pour assurer une déconnexion totale en cas de survoltage de catégorie III, conformément aux règlements locaux en matière de raccordement. Le sèche-linge doit être placé de façon à ce que le sectionneur soit facile d'accès pour l'utilisateur.
- Une garniture de serre-fil pour le d'alimentation est fournie avec le sèche-linge et doit être serrée une fois le câblage terminé. Les bornes de raccordement au secteur se trouvent derrière le petit panneau d'accès arrière (couvercle du boîtier de connexion), et les connexions doivent être réalisées conformément au marquage des bornes. Ne pas oublier de remettre en place le panneau d'accès du boîtier de connexion (couvercle du boîtier de connexion).

REMARQUE : Conformément à la directive européenne CEM (2004/108/EC), l'impédance maximale du système d'alimentation électrique auquel le sèche-linge électrique doit être connecté est de 0,302 Ohm + j0,189 Ohm.

⚠ AVERTISSEMENT



Risque de choc électrique

Une mise à la terre est nécessaire sur ce sèche-linge.

Ne pas utiliser une tuyauterie de gaz pour le raccordement à la terre.

Ne pas installer de fusible dans le circuit neutre ou de liaison à la terre.

Consulter un électricien qualifié pour s'assurer que le sèche-linge est correctement mis à la terre.

Le non-respect de ces instructions peut causer un décès, un incendie ou des blessures graves.

Si les codes le permettent et si un conducteur supplémentaire de mise à la terre est utilisé, il est recommandé qu'un électricien qualifié inspecte le parcours du fil de mise à la terre.

Méthode recommandée pour la mise à la terre

- Il incombe à l'utilisateur de contacter un électricien qualifié afin de veiller à ce que l'installation électrique soit réalisée de façon adéquate et en conformité avec les exigences de tous les codes et règlements locaux.

Exigences concernant l'évacuation

AVERTISSEMENT



Risque d'incendie

- Utiliser un conduit d'évacuation en métal lourd.**
- Ne pas utiliser un conduit d'évacuation en plastique.**
- Ne pas utiliser un conduit d'évacuation en feuille de métal.**
- Le non-respect de ces instructions peut causer un décès ou un incendie.**

AVERTISSEMENT : Pour réduire le risque d'incendie, ce sèche-linge DOIT ÉVACUER L'AIR À L'EXTÉRIEUR.

- Une aération adéquate est nécessaire pour éviter le retour des gaz dans la pièce en provenance d'appareils ménagers qui utilisent d'autres carburants comme combustible, y compris les feux ouverts (autrement dit le débit d'air entrant dans la pièce doit être égal au débit qui en sort).
- L'événement du sèche-linge ne doit pas être connecté à un conduit d'évacuation de gaz, une cheminée, un mur, un plafond ou un vide de construction.
- Ne pas utiliser un clapet d'évacuation à fermeture magnétique.
- Ne pas installer le conduit métallique flexible dans les cavités fermées des murs, plafonds ou planchers.
- Utiliser un conduit d'évacuation en métal lourd de 4" (102 mm) et des brides de fixation.
- Utiliser des brides de fixation pour sceller tous les joints. L'événement ne doit pas être connecté ou fixé avec des vis ou autres dispositifs d'accrochage qui se prolongent à l'intérieur de l'événement. Ne pas utiliser de ruban adhésif en toile.

IMPORTANT : Respecter les dispositions de tous les codes et règlements en vigueur.

Utiliser un conduit d'évacuation en métal lourd. Ne pas utiliser un conduit de plastique ou en feuille métallique.

On recommande d'utiliser un conduit métallique rigide pour réduire les risques d'écrasement et de déformation.

Un conduit métallique flexible doit être totalement déployé et soutenu lorsque le sèche-linge est à sa position finale. Enlever tout excès de conduit flexible pour éviter tout affaissement/déformation susceptible de réduire le débit d'air et le rendement du sèche-linge.

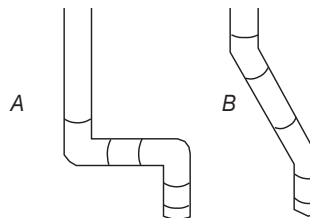
Terminer le conduit d'évacuation par un clapet de décharge pour empêcher les rongeurs et insectes d'entrer dans l'habitation ou l'entreprise.

Le clapet de décharge doit être situé à au moins 12" (30,5 cm) au-dessus du sol ou de tout autre objet susceptible de se trouver sur le trajet de l'air humide rejeté (par exemple, fleurs, roches ou arbustes).

Lors de l'utilisation d'un circuit d'évacuation existant, nettoyer les peluches sur toute la longueur du système et veiller à ce que la bouche de décharge ne soit pas obstruée par une accumulation

de peluches. Remplacer tout conduit de plastique ou de feuille métallique mince par un conduit métallique flexible ou rigide.

Planifier l'installation pour introduire le nombre minimal de coudes et de changements de direction.



Débit d'évacuation

A. Bon débit d'évacuation

B. Meilleur débit d'évacuation

Si des coudes sont utilisés ou des changements de direction effectués, prévoir autant d'espace que possible. Plier le conduit graduellement pour éviter de le déformer.

La bouche de sortie est située à l'arrière du sèche-linge, en bas/au centre.

On peut acheminer le conduit d'évacuation par le haut, par le bas, par la gauche, par la droite, derrière le sèche-linge ou en ligne droite depuis l'arrière du sèche-linge.

Longueur du circuit d'évacuation

La longueur maximale du circuit d'évacuation dépend du type de conduit utilisé, du nombre de coudes et du type de bouche de décharge.

Longueur maximale du conduit

Clapet de décharge de 102 mm (4") de diamètre



Conduit métallique rigide

| Nombre d'angles à 90° | Clapets de type boîte et à persiennes | Clapet incliné |
|-----------------------|---------------------------------------|----------------|
| 0 | 19,5 m (64 pi) | 17,7 m (58 pi) |
| 1 | 16,5 m (54 pi) | 14,6 m (48 pi) |
| 2 | 13,4 m (44 pi) | 11,6 m (38 pi) |
| 3 | 10,7 m (35 pi) | 8,8 m (29 pi) |
| 4 | 8,2 m (27 pi) | 6,4 m (21 pi) |

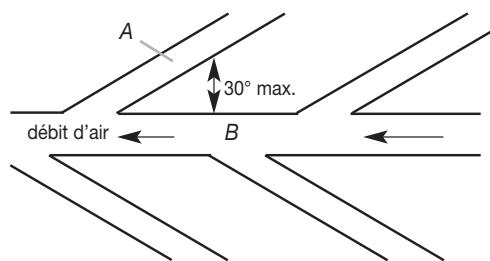
Si le sèche-linge est installé dans un espace réduit tel qu'une chambre à coucher, une salle de bain ou un placard, on doit prévoir une arrivée d'air en quantité suffisante pour la combustion et la ventilation. (Consulter les codes et règlements en vigueur.) Voir "Instructions pour l'installation dans un encastrement ou dans un placard" de la section "Exigences d'emplacement".

L'emploi d'une bouche de décharge de 102 mm (4") est préférable. On peut cependant utiliser une bouche de 64 mm (2½"). Une bouche de décharge de 64 mm (2½") peut causer une plus forte rétropression que les autres genres de bouches. Pour une installation permanente, un système d'évacuation fixe est requis.

Évacuation multiple du sèche-linge

- Un conduit d'évacuation principal peut être utilisé pour un groupe des sèche-linges. Le conduit d'évacuation principal devrait être d'un diamètre suffisant pour évacuer 5663 l/min (200 pi³/min) d'air par sèche-linge. Des filtres à peluches de forte capacité et de conception adéquate peuvent être utilisés dans le conduit principal d'évacuation s'ils sont inspectés et nettoyés fréquemment. La pièce où se trouvent les sècheuses devrait recevoir un apport d'air de débit égal ou supérieur au débit total (pi³/min) de débit de tous les sèche-linges installés dans la pièce.
- Des ensembles antirefoulement, n° de pièce 3391910, sont disponibles chez votre marchand et devraient être installés dans le conduit d'évacuation de chaque sèche-linge pour empêcher l'air évacué de retourner dans les sèche-linges et pour maintenir une pression équilibrée dans le conduit principal d'évacuation. Des orifices de passage d'air non obstrués sont requis.

Chaque conduit d'évacuation devrait pénétrer dans le conduit principal à un angle pointant dans la direction du débit d'air. Les conduits raccordés au conduit principal de part et d'autre devraient être disposés en quinconce pour que l'air évacué par un sèche-linge ne puisse perturber l'évacuation d'un autre sèche-linge.



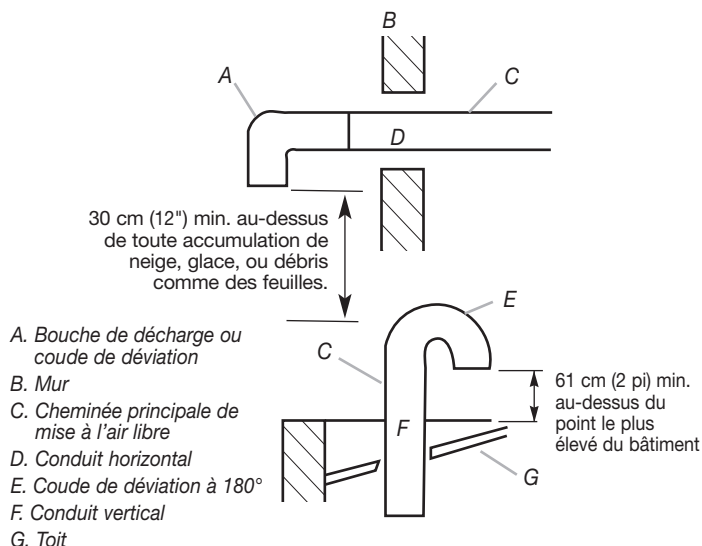
A. Conduit individuel d'évacuation du sèche-linge
B. Conduit principal d'évacuation

L'angle maximal entre le conduit connecté à un sèche-linge et le conduit principal ne devrait pas dépasser 30°.

Faire en sorte que les vapeurs générées par les liquides de nettoyage à sec ne puissent pas atteindre les orifices d'entrée d'air; ces vapeurs créent des composés acides qui, lorsqu'ils sont attirés vers les unités de chauffage des sècheuses, peuvent endommager les sèche-linges et le linge en cours de séchage.

Une bouche de nettoyage devrait être installée dans le conduit principal d'évacuation pour les nettoyages périodiques du système d'évacuation.

Si une bouche de décharge ne peut être utilisée :



L'extrémité extérieure du conduit principal devrait être munie d'un coude de déviation dirigé vers le bas. Si le conduit principal suit une trajectoire verticale à travers le toit, plutôt qu'à travers le mur, installer un coude de déviation de 180° à l'extrémité du conduit et dépassant d'au moins 61 cm (2 pi) au-dessus de la partie la plus élevée du bâtiment. L'ouverture murale ou dans le toit doit avoir un diamètre supérieur de 13 mm (1/2") à celui du conduit d'évacuation. Le conduit d'évacuation devrait être centré dans l'ouverture.

Ne pas installer une grille ou un couvercle sur l'extrémité du conduit d'évacuation.

INSTRUCTIONS D'INSTALLATION - SECHE-LINGE ELECTRIQUE

Installation des pieds de nivellement

⚠ AVERTISSEMENT

Risque du poids excessif

Utiliser deux ou plus de personnes pour déplacer et installer le sèche-linge.

Le non-respect de cette instruction peut causer une blessure au dos ou d'autre blessure.

NOTE : Placer le sèche-linge sur une feuille de carton ou un panneau de bois dur avant de la déplacer sur le plancher, afin d'éviter d'endommager le revêtement du sol.

1. À l'aide de deux personnes ou plus, déplacer le sèche-linge à l'emplacement d'installation désiré.
2. Enlever le ruban adhésif dans les angles avant du sèche-linge. Ouvrir le sèche-linge; enlever les brochures et sachets de pièces. Essuyer parfaitement la surface interne du tambour avec un chiffon humide.
3. Prendre deux cornières de carton de l'emballage et les placer sur le plancher à l'arrière du sèche-linge. Saisir fermement le sèche-linge et la placer doucement en appui sur la face arrière, sur les cornières de carton.
4. Prendre l'un des pieds et identifier la marque en losange dans le filetage. Ce repère indique jusqu'où le pied doit être vissé dans le trou.
5. Commencer à visser à la main les pieds avant dans les trous. (Utiliser une petite quantité de détergent liquide pour lubrifier la section filetée, pour qu'il soit plus facile de tourner les pieds). Utiliser une clé de 25 mm (1") ou une clé à douille pour visser les pieds jusqu'au repère. Placer ensuite un patin de protection sur chaque pied.
Placer maintenant la sécheuse verticalement.
6. Retirer la feuille de carton ou le panneau de bois dur placé sous le sèche-linge. Régler les pieds du sèche-linge vers le haut ou vers le bas jusqu'à ce que le sèche-linge soit d'aplomb.

Raccordement électrique

⚠ AVERTISSEMENT



Risque de choc électrique

Ce sèche-linge doit être relié à la terre.

Bien serrer toutes les connexions électriques.

Le non-respect de ces instructions peut causer un décès, un incendie ou un choc électrique.

Ce sèche-linge est livré sans cordon d'alimentation électrique et sans prise; il doit être raccordé par un électricien compétent. Voir "Spécifications électriques".

Raccordement du conduit d'évacuation

1. À l'aide d'une bride de fixation de 102 mm (4"), relier le conduit d'évacuation à la bouche d'évacuation du sèche-linge. Si on utilise le conduit d'évacuation existant, s'assurer qu'il est propre. Le conduit d'évacuation du sèche-linge doit être fixé sur la bouche d'évacuation du sèche-linge et dans le clapet d'évacuation. S'assurer que le conduit d'évacuation est fixé au clapet d'évacuation à l'aide d'une bride de fixation de 102 mm (4").
2. Placer la sécheuse à l'emplacement final désiré. Ne pas écraser ni déformer le conduit d'évacuation. Vérifier que le sèche-linge est de niveau.

Achever l'installation

1. Une fois le sèche-linge à son emplacement final, placer un niveau sur le sommet du sèche-linge, transversalement, puis dans le sens avant arrière. Si le sèche-linge n'est pas d'aplomb, ajuster les pieds pour modifier la hauteur et établir un bon aplomb du sèche-linge.
2. Brancher le sèche-linge ou reconnecter la source de courant électrique.
3. Contrôler le bon fonctionnement du sèche-linge (la minuterie peut indiquer un temps de service cumulatif du fait de tests effectués à l'usine).

Insérer les pièces dans le mécanisme à coulisse et enfoncer doucement le mécanisme à glissière (le temps de fonctionnement sera accumulé, selon le nombre de pièces et le type de la came utilisé). Appuyer sur le bouton START/RESTART (mise en marche/remise en marche). Faire fonctionner le sèche-linge pendant au moins cinq minutes – programme de séchage avec chaleur (pas le programme de séchage à l'air). Le sèche-linge s'arrêtera à l'expiration de la période ainsi déterminée.

NOTE : Il faut que la porte soit fermée pour que le sèche-linge puisse fonctionner. Le sèche-linge s'arrête dès l'ouverture de la porte, mais la minuterie continue de fonctionner. Pour remettre le sèche-linge en marche, fermer la porte et appuyer sur le bouton START/RESTART.

4. Si le temps de séchage est trop long, s'assurer que le filtre à peluches est propre.
5. Mettre le sèche-linge en marche; la laisser exécuter un programme complet avec chaleur (pas le programme de séchage à l'air) pour vérifier qu'elle fonctionne correctement.

Cet appareil est un sèche-linge à 3 conducteurs qui doit être relié à la terre.

INSTRUCTIONS D'ENTRETIEN

Instructions d'entretien :

- Nettoyer le filtre à peluches après chaque utilisation.
- Comment enlever les peluches accumulées :
 - De l'intérieur du sèche-linge :

Il faut retirer les peluches tous les 2 ans ou plus souvent, selon l'utilisation du sèche-linge. Le nettoyage doit être effectué par une personne qualifiée.
 - Du conduit d'évacuation :

Il faut retirer les peluches tous les 2 ans ou plus souvent, selon l'utilisation du sèche-linge.

Si le sèche-linge ne fonctionne pas, vérifier ce qui suit :

- Le circuit d'alimentation électrique est bien connecté.
- Les disjoncteurs ne sont pas ouverts et les fusibles sont intacts.
- La porte est fermée.
- Les boutons de commande sélectionnent une configuration de fonctionnement ou sont placées sur "ON".
- Le bouton START (mise en marche) a été enfoncé fermement.

Si vous avez besoin d'assistance :

Veillez communiquer avec votre distributeur d'ensemble de buanderie commercial Maytag autorisé. Lors de l'appel, vous aurez besoin des numéros de modèle et de série du sèche-linge. Les deux numéros sont indiqués sur la plaque signalétique de l'appareil. Ou visitez le site Web www.MaytagCommercialLaundry.com.

SEGURIDAD DE LA SECADORA

Su seguridad y la seguridad de los demás es muy importante

Hemos incluido muchos mensajes importantes de seguridad en este manual y en su electrodoméstico. Lea y obedezca siempre todos los mensajes de seguridad.



Este es el símbolo de advertencia de seguridad.

Este símbolo le llama la atención sobre peligros potenciales que pueden ocasionar la muerte o una lesión a usted y a los demás. Todos los mensajes de seguridad irán a continuación del símbolo de advertencia de seguridad y de la palabra "PELIGRO" o "ADVERTENCIA".

Estas palabras significan:

⚠ PELIGRO

Si no sigue las instrucciones de inmediato, usted puede morir o sufrir una lesión grave.

⚠ ADVERTENCIA

Si no sigue las instrucciones, usted puede morir o sufrir una lesión grave.

Todos los mensajes de seguridad le dirán el peligro potencial, le dirán cómo reducir las posibilidades de sufrir una lesión y lo que puede suceder si no se siguen las instrucciones.

PARA SU SEGURIDAD

No almacene ni use gasolina u otros vapores y líquidos inflamables cerca de éste o cualquier otro electrodoméstico.

REQUISITOS DE INSTALACIÓN

Piezas y herramientas

Reúna las herramientas y piezas necesarias antes de comenzar la instalación. Lea y siga las instrucciones provistas con cualquiera de las herramientas enlistadas aquí.

Herramientas necesarias

- Llave para tubos de 20 cm (8") ó 25 cm (10")
- Llave ajustable de 20 cm (8") ó 25 cm (10")
- Destornillador de hoja plana
- Destornillador Phillips
- Llave ajustable que se abra a 25 mm (1") o llave de cubo de cabeza hexagonal
- Nivel
- Llave de boca de 8 mm ($\frac{5}{16}$ ")
- Cuchillo para uso general
- Abrazaderas para ducto
- Pistola y masilla para calafateo (para instalar el nuevo ducto de escape)
- Pinzas
- Cuchillo para masilla

Piezas suministradas

Retire la bolsa de piezas del tambor de la secadora. Verifique que estén todas las piezas.

- Cuñas (4)
- Patas de la secadora (4)

Requisitos de ubicación

⚠ ADVERTENCIA



Peligro de explosión

Mantenga los materiales y vapores inflamables, tales como la gasolina, alejados de la secadora.

No instale en un garage.

No seguir estas instrucciones puede ocasionar la muerte, explosión o incendio.

IMPORTANTE: Observe todos los códigos y reglamentos aplicables.

- Verifique los requisitos del código: Algunos códigos limitan, o no permiten, la instalación de la secadora en garajes, armarios o en dormitorios. Póngase en contacto con el inspector de construcciones de su localidad.

NOTA: No debe instalarse la secadora en un área en donde pueda estar expuesta al agua y/o a la intemperie.

Instrucciones para la instalación empotrada o en armario

Esta secadora podrá instalarse en un área empotrada o en un clóset. No debe instalarse esta secadora detrás de una puerta que se pueda cerrar con llave, una puerta corrediza o una puerta con bisagra del lado opuesto a la secadora.

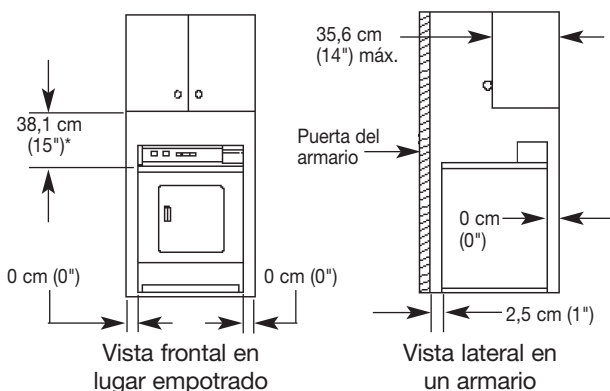
El espacio de instalación es en centímetros (pulgadas) y es el mínimo permitido. Debe considerarse espacio adicional para facilitar la instalación, el servicio técnico y el cumplimiento de los códigos y ordenanzas locales.

Si se instala la puerta del armario, se requieren aperturas mínimas de ventilación sin obstrucciones en la parte superior e inferior de la puerta. Se aceptan puertas tipo persianas con aperturas de aire equivalentes.

La secadora deberá ventilarse al exterior.

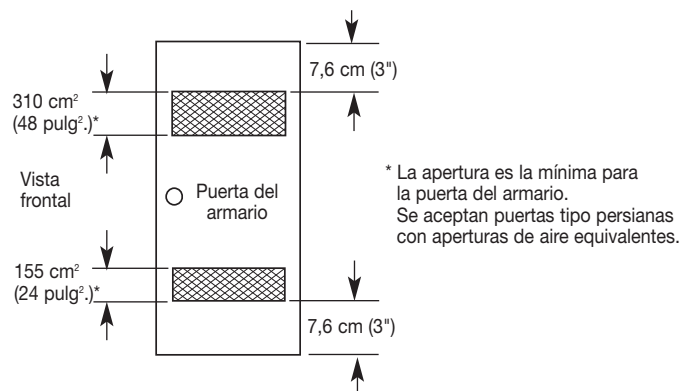
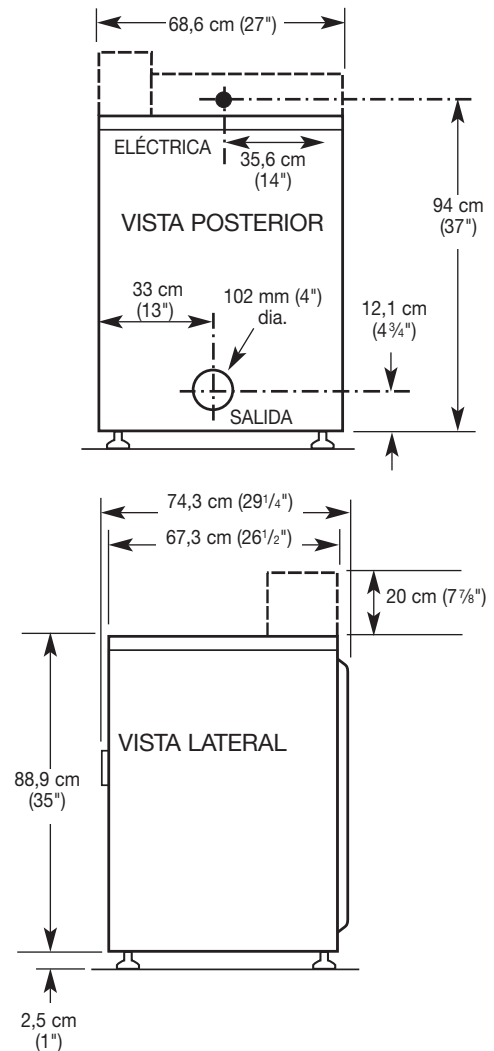
No se puede instalar otro electrodoméstico que usa combustible en el mismo clóset en que se encuentra la secadora.

Espacios mínimos para la instalación



Se podrían necesitar espacios libres adicionales para las molduras de la pared, de la puerta y del piso, o si se usa un codo externo de ventilación.

Dimensiones del producto: Secadora de 68,6 cm (27")



Requisitos eléctricos

Esta secadora se suministra sin cable eléctrico ni enchufe. Debe ser conectada por un electricista competente a un suministro eléctrico monofásico al voltaje mostrado en la placa, usando una instalación apropiada de cableado fijo de acuerdo a las normas de cableado locales y nacionales.

- Debe usarse un cable circular de tres hilos de tamaño mínimo de conductor con un área de sección transversal de 2,5 mm².
- Debe usarse un fusible de suministro de 30 A y deberá incluirse un interruptor con un contacto de separación en ambos polos que provea una desconexión completa bajo condiciones de voltaje excesivo de categoría III en el cableado fijo, de acuerdo con las normas de cableado locales. La secadora deberá colocarse de manera tal que el interruptor de desconexión esté fácilmente accesible para el usuario.
- La secadora viene provista con una abrazadera de sujeción para cables, la cual debe apretarse al completar el cableado. Las terminales eléctricas principales están ubicadas detrás del pequeño panel de acceso trasero (cubierta del bloque terminal), y las conexiones deben hacerse de acuerdo a las marcas del terminal. Recuerde que debe volver a colocar el panel de acceso del terminal (cubierta del bloque terminal).

NOTA: De acuerdo a la Directiva EMC Europea (2004/108/EC) la impedancia máxima del sistema de suministro de electricidad máxima a la cual la secadora eléctrica debe estar conectada es 0,302 Ohm + j0,189 Ohm.

⚠ ADVERTENCIA



Peligro de descarga eléctrica

Se requiere una conexión eléctrica a tierra para esta secadora.

No haga la conexión a tierra sobre una tubería de gas.

No tenga un fusible en el circuito neutro o de conexión a tierra.

Verifique con un electricista calificado para asegurarse de que la secadora esté conectada a tierra como es debido.

No seguir estas instrucciones puede ocasionar la muerte, incendio o lesiones graves.

Si los códigos lo permiten y se emplea una ligadura de conexión a tierra adicional, es recomendable que un electricista calificado determine si la trayectoria de conexión a tierra de la ligadura es adecuada.

Método recomendado de conexión a tierra

- Es su responsabilidad ponerse en contacto con un instalador eléctrico calificado para asegurarse de que la instalación eléctrica sea adecuada y de conformidad con todos los códigos y ordenanzas locales.

Requisitos de ventilación

⚠ ADVERTENCIA



Peligro de Incendio

Use un ducto de escape de metal pesado.

No use un ducto de escape de plástico.

No use un ducto de escape de aluminio.

No seguir estas instrucciones puede ocasionar la muerte o incendio.

ADVERTENCIA: Para reducir el riesgo de incendio, esta secadora DEBE VENTILARSE HACIA EL EXTERIOR.

- Deberá proveerse una ventilación adecuada para evitar el contraflujo de gases de aparatos que consuman otros combustibles, incluidos fuegos abiertos, en la habitación (por ejemplo, el flujo de aire disponible que entre en la habitación deberá coincidir con el flujo de aire que sale de la misma).
- El conducto de escape de la secadora no puede descargarse en un conducto de humo usado para humos de salida de aparatos que consumen/queman gas u otros combustibles, una chimenea, pared, techo o espacio oculto de un edificio.
- No use un conducto de escape de plástico con pestillo magnético.
- No instale el ducto de escape de metal flexible en paredes, techos o pisos encerrados.
- Deben usarse abrazaderas y ductos de escape de metal pesado de 102 mm (4").
- Utilice abrazaderas para sellar todas las juntas. No debe conectarse ni asegurarse el ducto de escape con tornillos ni con ningún otro dispositivo que se extienda hacia el interior de dicho conducto. No utilice cinta para ductos.

IMPORTANTE: Observe todos los códigos y reglamentos aplicables.

Use un conducto de escape de metal pesado. No use conducto de escape de plástico o de hoja de metal. Se recomienda un ducto de escape de metal rígido para evitar que se aplaste o se tuerza.

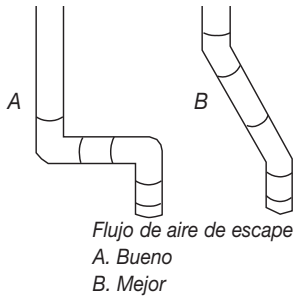
El ducto de escape de metal flexible debe extenderse y sostenerse por completo cuando la secadora está en su ubicación final. Quite el exceso del ducto de metal flexible para evitar que se doble y se tuerza, lo cual podría dar lugar a una reducción del flujo de aire y a un rendimiento insuficiente.

Una capota de ventilación debe tapar el ducto de escape para evitar el ingreso de roedores e insectos a la casa o comercio.

La capota de ventilación debe estar al menos a 30,5 cm (12") del piso o de cualquier objeto que pueda encontrarse en el paso del escape (tales como flores, piedras o arbustos).

Si se usa un sistema de ventilación existente, limpie la pelusa que está en toda la longitud del sistema y asegúrese de que la capota de ventilación no esté obstruida con pelusa. Reemplace cualquier ducto de escape de plástico o de hoja de metal por uno de metal rígido o flexible.

Planifique la instalación a fin de usar el menor número posible de codos y vueltas.



Cuando use codos o haga vueltas, deje todo el espacio que sea posible. Doble el ducto gradualmente para evitar torceduras. La salida de ventilación está ubicada en el centro de la parte posterior de la secadora inferior.

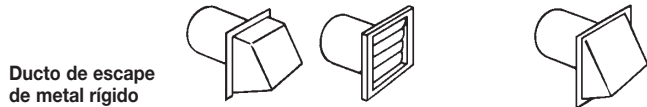
El ducto de escape puede ser dirigido hacia arriba, hacia abajo, a la izquierda, derecha, detrás de la secadora o directamente hacia atrás por la parte posterior de la misma.

Largo del sistema de ventilación

La longitud máxima del sistema de ventilación depende del tipo de ducto que se use, el número de codos y el tipo de capota de ventilación.

Longitud máxima del ducto de escape

Capotas de ventilación de 102 mm (4") de diámetro



| Nº de vueltas de 90° | Capota de ventilación tipo caja y tipo persiana | Capota de ventilación angular |
|----------------------|---|-------------------------------|
| 0 | 19,5 m (64 pies) | 17,7 m (58 pies) |
| 1 | 16,5 m (54 pies) | 14,6 m (48 pies) |
| 2 | 13,4 m (44 pies) | 11,6 m (38 pies) |
| 3 | 10,7 m (35 pies) | 8,8 m (29 pies) |
| 4 | 8,2 m (27 pies) | 6,4 m (21 pies) |

Si la secadora está instalada en un área cerrada tal como un dormitorio, baño o clóset, deberán tomarse las provisiones necesarias para que haya aire suficiente para la combustión y la ventilación. (Verifique los códigos y reglamentos aplicables.) Vea "Instrucciones para la instalación empotrada o en clóset" en la sección "Requisitos de ubicación".

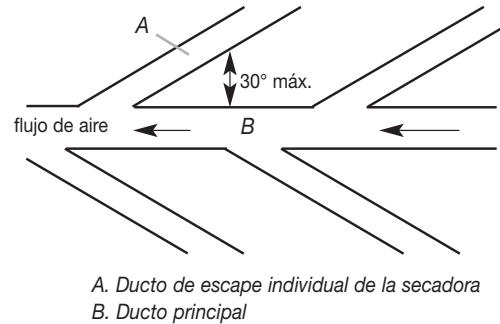
Se prefiere una capota de salida de 102 mm (4"). Aún así, podrá usarse una salida de escape de 64 mm (2½"). Una salida de 64 mm (2½") ocasiona mayor contrapresión que los otros tipos de capotas. Para una instalación permanente, se necesita un sistema fijo de ventilación.

Ventilación para múltiples secadoras

- Puede usarse un ducto principal para ventilar un grupo de secadoras. La ventilación principal debe ser del tamaño como para eliminar 5663 l/min (200 pies cúbicos por minuto) de aire por secadora. Pueden usarse filtros de pelusa de gran capacidad con diseño apropiado en la ventilación principal si se revisan y se limpian frecuentemente. La habitación en donde estén ubicadas las secadoras deberá tener aire suficiente o mayor de todas las secadoras en la habitación.
- Los juegos reguladores de tiro de contratiro, pieza N°. 3391910, están disponibles con su distribuidor y deben instalarse en cada ducto de escape de las secadoras para prevenir que el aire de escape regrese a las secadoras y para mantener al escape en balance con la ventilación principal. Se requieren aberturas de aire sin obstrucción.

Cada ducto de escape debe entrar en la ventilación principal a un ángulo que apunte en la dirección del flujo de aire. Los ductos de escape que entren por el lado opuesto deben alternarse para lograr que el aire de escape reduzca su interferencia con otros ductos de escape.

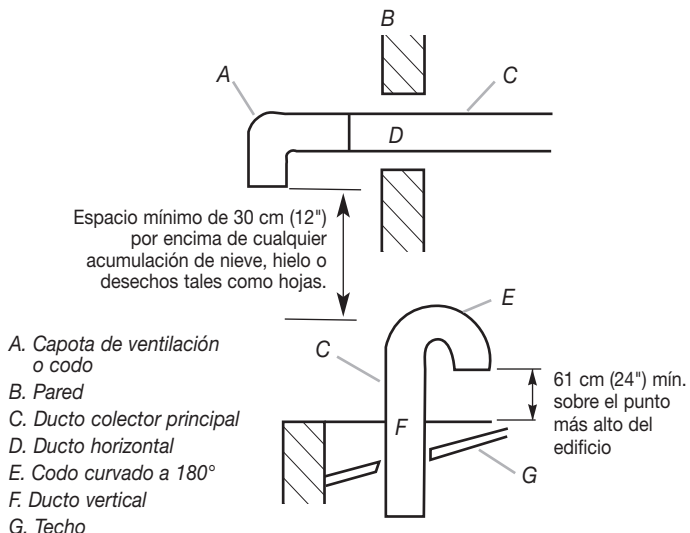
El ángulo máximo de cada ducto que entra en el ducto principal deberá ser no más de 30°.



Mantenga las aberturas de aire libres de los gases de los líquidos de limpieza en seco. Los gases producen ácidos, los cuales pueden dañar las secadoras y las cargas que se estén secando cuando pasan a través de las unidades de calentamiento de las secadoras.

Debe ubicarse una cubierta de limpieza en el ducto principal para una limpieza periódica del sistema de ventilación.

Si no puede usarse una capota de ventilación:



El extremo exterior de la ventilación principal debe tener un codo curvado dirigido hacia abajo. Si el ducto principal viaja verticalmente a través del techo, en lugar de la pared, instale un codo curvado a 180° en el extremo del ducto de escape, por lo menos a 61 cm (2 pies) sobre la parte más alta del edificio. La abertura de la pared o del techo debe tener un diámetro de 13 mm (1/2") más grande que el diámetro del ducto. El ducto debe estar centrado en la abertura.

No instale una malla metálica ni una tapa sobre el extremo del ducto.

INSTRUCCIONES DE INSTALACIÓN - SECADORA ELÉCTRICA

Instalación de las patas niveladoras

⚠ ADVERTENCIA

Peligro de peso excesivo

Use dos o más personas para mover e instalar la secadora.

No seguir esta instrucción puede ocasionar una lesión en la espalda u otro tipo de lesiones.

NOTA: Deslice la secadora sobre un pedazo de cartón o madera dura antes de moverla por el piso para no dañar el acabado de éste.

1. Con la ayuda de dos o más personas, mueva la secadora al lugar deseado para su instalación.
2. Remueva la cinta de las esquinas frontales de la secadora. Abra la secadora y saque los paquetes que contienen la bolsa con documentos y las piezas. Limpie el interior del tambor minuciosamente con un paño húmedo.
3. Tome dos de los esquinales de cartón de la caja y colóquelos sobre el piso, en la parte posterior de la secadora. Sujete con firmeza el cuerpo de la secadora y colóquela sobre su parte posterior, encima de los esquinales de cartón.
4. Con una de las patas a mano, fíjese en las ranuras para encontrar la marca en forma de diamante. Hasta ahí es donde la pata debe introducirse en el orificio.
5. Comience a atornillar las patas niveladoras en los orificios con la mano. (Use una pequeña cantidad de detergente líquido para lubricar las roscas del tornillo, y hacer de esa manera más fácil el girar las patas.) Use una llave de tuercas

de 25 mm (1") o una llave de cubo para terminar de girar las patas, hasta llegar a la marca con forma de diamante. Luego haga encajar una cubierta protectora sobre cada pata.

Ahora ponga la secadora de pie.

6. Quite el cartón o madera que se encuentra debajo de la secadora. Incline las patas de la secadora hacia arriba o hacia abajo hasta que la misma quede nivelada.

Conexión eléctrica

⚠ ADVERTENCIA



Peligro de descarga eléctrica

Esta secadora debe estar conectada a tierra.

Apriete firmemente todas las conexiones eléctricas.

No seguir estas instrucciones puede causar la muerte, incendio, o descarga eléctrica.

Ésta es una secadora de 3 hilos y debe estar conectada a tierra. Esta secadora se ha suministrado sin cable eléctrico ni enchufe y debe ser conectada por un electricista calificado. Vea "Requisitos eléctricos".

Conexión del ducto de escape

1. Usando una abrazadera de 102 mm (4"), conecte el ducto de escape a la salida de aire en la secadora. Si se conecta a un ducto de escape existente, asegúrese de que el mismo esté limpio. El ducto de escape de la secadora debe encajar sobre la salida de aire de la secadora y dentro de la capota de ventilación. Cerciérese de que el ducto de escape esté asegurado a la capota de ventilación con una abrazadera de 102 mm (4").
2. Mueva la secadora a su posición final. No aplaste ni retuerza el ducto de escape. Asegúrese de que la secadora esté nivelada.

Complete la instalación

1. Con la secadora en su posición final, coloque un nivel sobre la secadora, primero de lado a lado; luego de adelante para atrás. Si la secadora no está nivelada, ajuste las patas de la secadora hacia arriba o hacia abajo hasta que esté nivelada.
2. Conecte el suministro de energía.
3. Revise el funcionamiento de la secadora (puede que haya algo de tiempo acumulado en el temporizador debido a las pruebas de fábrica).

Inserte las monedas en el tragamonedas y presiónelo hacia adentro lentamente. (El tiempo de funcionamiento se acumulará según el número de monedas y el tipo de leva de distribución usada.) Oprima el botón de Inicio/Reinicio

(START/RESTART). Usando un ciclo completo con calor (no el ciclo de aire), permita que la secadora funcione por lo menos 5 minutos en un ciclo de calor máximo. La secadora se detendrá cuando se haya terminado el tiempo.

NOTA: La puerta de la secadora se debe cerrar para que la misma funcione. Cuando se abre la puerta, la secadora se detiene pero el temporizador continúa funcionando. Para hacer que la secadora empiece un ciclo de nuevo, cierre la puerta y presione el botón de Inicio/Reinicio (START/RESTART).

4. Si el tiempo de secado es muy largo, asegúrese que el filtro de pelusa esté limpio.
5. Ahora ponga la secadora en marcha y permita que termine un ciclo de calor completo (no un ciclo de aire), para asegurarse de que está funcionando adecuadamente.

INSTRUCCIONES DE MANTENIMIENTO

Instrucciones de mantenimiento:

- Limpie el filtro de pelusa después de cada ciclo.
- Eliminación de pelusa acumulada:
 - En el interior de la carcasa de la secadora:
Según el uso de la secadora, se debe quitar la pelusa cada 2 años, o con más frecuencia. La limpieza deberá efectuarla una persona calificada.
 - En el ducto de escape:
Según el uso de la secadora, se debe quitar la pelusa cada 2 años, o con más frecuencia.

Si la secadora no funciona, revise lo siguiente:

- Que el suministro eléctrico esté conectado.
- Que el cortacircuitos no se disparó o el fusible de la casa no está quemado.
- Que la puerta esté cerrada.
- Que los controles estén fijados en una posición de funcionamiento o Encendido (ON).
- Que botón de Inicio (START) esté presionado firmemente.

Si necesita ayuda:

Póngase en contacto con su distribuidor autorizado de secadoras comerciales de Maytag. Cuando llame, usted necesitará tener a mano el número del modelo y de serie de la lavadora. Ambos números se encuentran en la placa de clasificación de serie que está ubicada en el electrodoméstico. O visite: www.MaytagCommercialLaundry.com.

SICUREZZA DELL'ASCIUGATRICE

La sicurezza dell'utente e degli altri è fondamentale.

Il presente manuale e l'elettrodomestico stesso contengono numerosi importanti messaggi sulla sicurezza. Leggere e seguire sempre tutti i messaggi di sicurezza.



Questo è il simbolo che indica un pericolo.

Questo simbolo avverte l'utente dei possibili pericoli mortali per sé e per gli altri.

Tutti i messaggi di sicurezza sono contrassegnati dal simbolo di allarme sicurezza e dalle parole "PERICOLO" o "AVVERTENZA". Significato:

⚠ PERICOLO

Pericolo di morte o di lesioni gravi in caso di mancata osservanza immediata delle istruzioni.

⚠ AVVERTENZA

Pericolo di morte o di lesioni gravi in caso di mancata osservanza delle istruzioni.

Tutti i messaggi di sicurezza informano l'utente sulla tipologia del pericolo, su come ridurre il rischio di lesioni e su cosa può succedere in caso di mancata osservanza delle istruzioni.

PER LA SICUREZZA DELL'UTENTE

Non conservare o utilizzare benzina, né altri vapori infiammabili in prossimità di questa o qualsiasi altre apparecchiature.

REQUISITI D'INSTALLAZIONE

Attrezzi e componenti

Raccogliere gli attrezzi e i componenti necessari prima di iniziare l'installazione.

Attrezzi necessari

- Chiave per tubi da 20 cm (8") or 25 cm (10")
- Chiave regolabile da 20 cm (8") or 25 cm (10")
- Cacciavite a testa piatta
- Cacciavite Phillips
- Chiave regolabile con apertura a 2,5 cm (1") o chiave a tubo esagonale
- Livello
- Chiave a tubo da 8 mm (5/16")
- Coltello multiuso
- Morsetti per lo scarico
- Pistola per presellatura e presello (per l'installazione del nuovo scarico)
- Pinza
- Spatola per stucco

Componenti in dotazione

Rimuovere il sacchetto dei componenti dalla lavatrice. Controllare che vi siano inclusi tutti i pezzi necessari.

- Protezione piede (4)
- Piede asciugatrice (4)

Requisiti di ubicazione

⚠ AVVERTENZA



Rischio di esplosione

Tenere materiali e vapori infiammabili, quali benzina, lontani dall'asciugatrice.

Non installare in un garage.

La mancata osservanza di queste precauzioni può provocare la morte, esplosioni o incendi.

IMPORTANTE: rispettare le normative e le ordinanze governative.

■ Controllare i requisiti normativi: alcune normative limitano o proibiscono l'installazione di asciugatrici in garage, armadi o luoghi dove si dorme. Contattare l'ispettore edilizio locale.

NOTA: non installare l'asciugatrice in una zona esposta ad acqua e/o intemperie.

Istruzioni di installazione incassata e in armadi

È possibile installare l'asciugatrice incassata o in un armadio.

Non installare l'asciugatrice dietro a una porta bloccabile, scorrevole o con la cerniera nella parte opposta dell'asciugatrice.

Lo spazio di installazione è in centimetri e rappresenta il minimo consentito.

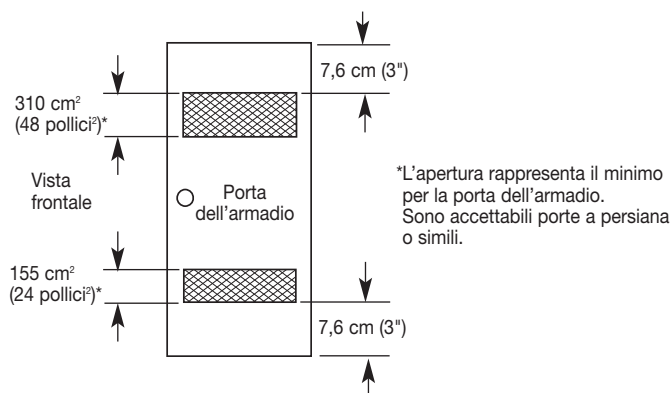
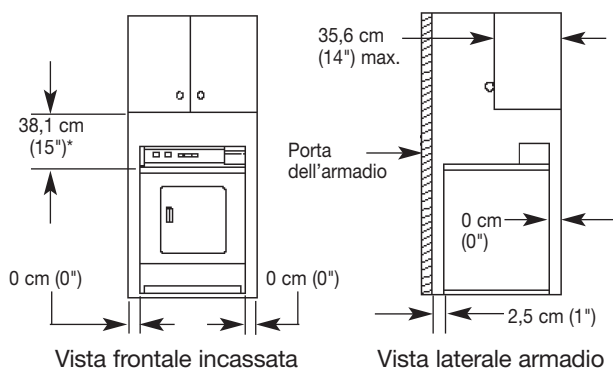
Per agevolare le operazioni di installazione e assistenza, e per rispettare la conformità con le normative locali, è opportuno considerare spazio aggiuntivo.

Se si installa una porta dell'armadio, è necessaria un'apertura non ostruita nella parte superiore e inferiore. Sono accettabili porte a persiana o simili.

Lo scarico dell'asciugatrice deve essere diretto all'esterno.

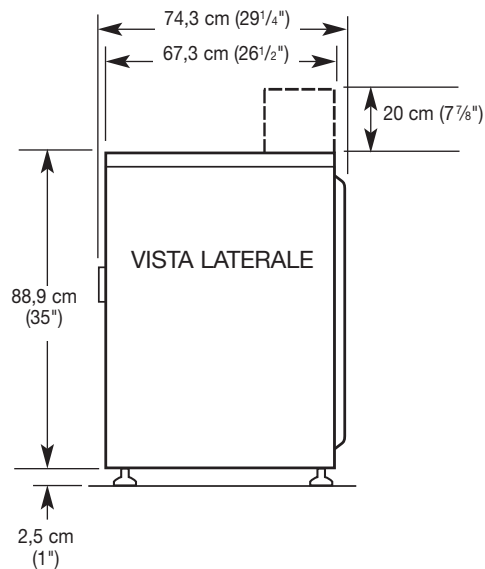
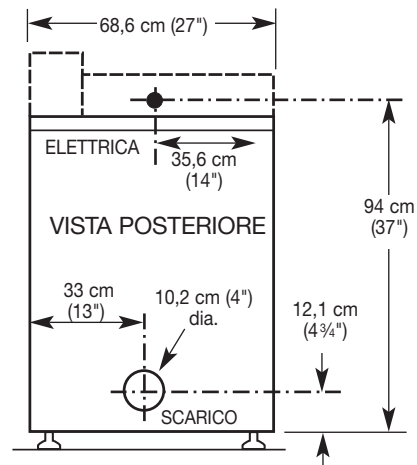
Non installare altre apparecchiature a combustione nello stesso armadio dell'asciugatrice.

Spazi minimi di installazione



Può essere necessario spazio aggiuntivo per pareti, sportelli e porte, oppure nel caso in cui venga utilizzato un gomito di scarico esterno.

Dimensioni del prodotto asciugatrice da 68,6 cm (27")



Requisiti elettrici - Asciugatrice elettrica

L'asciugatrice è sprovvista di cavo elettrico e presa. La connessione a una fonte di elettricità a fase singola deve essere eseguita da un elettricista esperto, in rispetto della tensione espressa sulla targhetta dei dati, tramite l'installazione di un cavo fisso che rispetti i requisiti di cablaggio locali e nazionali.

- Utilizzare un cavo a sezione circolare a tre fili, con sezione trasversale del conduttore di dimensioni minime di 2,5 mm².
- Utilizzare un fusibile di alimentazione da 30 A e incorporare un interruttore dotato di separazione dei contatti in entrambi i poli, che fornisca la disconnessione totale in condizioni di sovratensione di categoria III, al cablaggio fisso in rispetto dei requisiti di cablaggio locali. Posizionare l'asciugatrice in modo che l'interruttore di disconnessione sia facilmente accessibile.
- L'asciugatrice è provvista di una boccola per il morsetto del cavo da serrare una volta terminato il cablaggio. I terminali della rete elettrica sono posizionati dietro il piccolo pannello di accesso posteriore (coperchio di blocco dei terminali). Eseguire le connessioni rispettando i contrassegni dei terminali. Ricordarsi di sostituire il pannello di accesso ai terminali (coperchio di blocco dei terminali).

NOTA: in rispetto della Direttiva europea EMC (2004/108/CE), l'impedenza massima del sistema di alimentazione elettrica a cui connettere l'asciugatrice è dichiarata pari a 0,302 Ohm + j0,189 Ohm.

AVVERTENZA



Pericolo di scossa elettrica

- L'asciugatrice deve essere dotata di messa a terra.**
- Non mettere a terra verso un tubo di gas.**
- Non utilizzare fusibili nel circuito neutro o di terra.**
- Verificare con un elettricista esperto l'adeguata messa a terra dell'asciugatrice.**
- La mancata osservanza di queste istruzioni può causare morte, incendi o gravi lesioni.**

Qualora le normative lo consentano, si utilizza un cavo di messa a terra aggiuntivo, facendo determinare a un elettricista esperto il percorso adeguato.

Metodo di messa a terra consigliato

- Ricade sotto la responsabilità dell'utente contattare un elettricista esperto che garantisca che l'installazione elettrica sia adeguata e conforme a tutte le normative e le ordinanze locali.

Requisiti di scarico

AVVERTENZA



Rischio di incendio

- Utilizzare uno scarico in metallo pesante.**
- Non utilizzare uno scarico in plastica.**
- Non utilizzare uno scarico in lamina metallica.**
- La mancata osservanza di queste istruzioni può causare morte o incendi.**

AVVERTENZA: per ridurre il rischio di incendio, LO SCARICO DELL'ASCIUGATRICE DEVE ESSERE DIRETTO VERSO L'ESTERNO.

- Fornire una ventilazione adeguata per evitare il riflusso di gas all'interno della stanza, derivanti da apparecchiature a combustione, incluse le fiamme aperte (ovvero il flusso di aria disponibile all'interno della stanza deve essere pari a quello esterno).
- Non far scaricare l'asciugatrice nella stessa canna fumaria, parete, soffitto o spazio nascosto utilizzato per scaricare i fumi generati da apparecchiature che bruciano gas o altri combustibili.
- Non utilizzare cappe con blocco magnetico.
- Non installare uno scarico in metallo flessibile in pareti, soffitti o pavimenti chiusi.
- Utilizzare morsetti e uno scarico in metallo pesante da 102 mm (4").
- Utilizzare i morsetti per sigillare tutti i raccordi. Non connettere o fissare lo scarico con viti o altri dispositivi di fissaggio che si estendano all'interno dello stesso. Non utilizzare nastro isolante.

IMPORTANT: rispettare le normative e le ordinanze governative.

Utilizzare uno scarico in metallo pesante. Non utilizzare uno scarico in plastica o lamina metallica.

Si consiglia uno scarico in metallo rigido per prevenire piegature e attorcigliamenti.

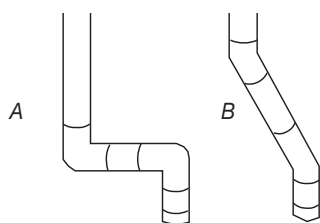
Stendere completamente lo scarico in metallo flessibile e sostenerlo quando l'asciugatrice si trova alla sua estremità. Eliminare lo scarico in metallo flessibile in eccesso per evitare cedimenti e attorcigliamenti che possono ridurre il flusso dell'aria e rendere scarse le prestazioni.

Coprire lo scarico con una cappa per impedire l'ingresso di roditori e insetti in casa o nel luogo di lavoro.

La cappa di scarico deve trovarsi ad almeno 30,5 cm (12") da terra o dagli altri oggetti presenti nel raggio di azione dello scarico (quali fiori, pietre, cespugli).

Se si utilizza un impianto di scarico esistente, pulire tutto il sistema, accertandosi che la cappa non sia intasata con garza. Sostituire gli eventuali scarichi in plastica o lamina metallica con scarichi in metallo rigido o flessibile.

Piano di installazione per utilizzare il numero minimo di gomiti e curve.



Flusso d'aria di scarico
A. Migliore
B. Buono

Quando si utilizzano gomiti o curve prevedere il maggiore spazio possibile. Piegare lo scarico gradualmente per evitare attorcigliamenti.

L'uscita di scarico si trova al centro della parte posteriore dell'asciugatrice.

È possibile instradare lo scarico verso l'alto, il basso, a destra o a sinistra, dietro l'asciugatrice o direttamente al di fuori della parte posteriore.

Lunghezza dell'impianto di scarico

La lunghezza massima dell'impianto di scarico dipende dal tipo di scarico utilizzato, dal numero di gomiti e dal tipo di cappa.

Lunghezza massima dello scarico

Diametro delle cappe di scarico 102 mm (4")



Scarico in metallo rigido

| N. di curve da 90° | Cappa quadrata e a persiana | Cappa angolata |
|--------------------|-----------------------------|-------------------|
| 0 | 19,5 m (64 piedi) | 17,7 m (58 piedi) |
| 1 | 16,5 m (54 piedi) | 14,6 m (48 piedi) |
| 2 | 13,4 m (44 piedi) | 11,6 m (38 piedi) |
| 3 | 10,7 m (35 piedi) | 8,8 m (29 piedi) |
| 4 | 8,2 m (27 piedi) | 6,4 m (21 piedi) |

Se l'asciugatrice viene installata in un'area ristretta, quale una camera da letto, un bagno o un armadio, fornire aria a sufficienza per la combustione e la ventilazione (rispettare le normative e le ordinanze governative). Consultare "Istruzioni di installazione incassata e in armadi", nella sezione "Requisiti di ubicazione".

È preferibile una cappa con uscita da 10,2 cm (4") Tuttavia, è possibile utilizzare una cappa di scarico con uscita da 64 mm (2 1/2"). Una cappa di scarico con uscita da 64 mm (2 1/2") genera una pressione maggiore rispetto agli altri tipi di cappa. Per installazioni permanenti, è necessario un impianto di scarico fisso.

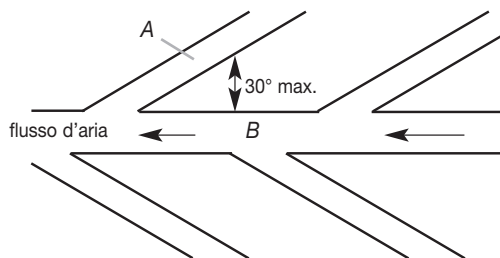
Scarico di asciugatrici multiple

- Per lo scarico di un gruppo di asciugatrici è possibile utilizzare uno scarico principale. Lo scarico principale deve avere dimensioni tali da rimuovere 5663 l/min (200 CFM) d'aria per asciugatrice. Nello scarico principale sono utilizzabili filtri in garza di grande capacità progettati appositamente. La stanza in cui vengono sistemate le asciugatrici deve prevedere un rinnovo d'aria uguale o maggiore al flusso d'aria di tutte le asciugatrici presenti.
- Il kit di attenuazione del ritorno d'aria, n. parte 3391910, è disponibile presso il rivenditore e va installato nello scarico di

ciascuna asciugatrice per prevenire il ritorno dell'aria e per mantenere lo scarico in equilibrio entro lo scarico principale. Le aperture dell'aria non devono essere ostruite.

Ciascuno scarico deve entrare nello scarico principale con un angolo che punta nella direzione del flusso d'aria. Sfalsare gli scarichi che entrano dal alto opposto per ridurre l'interferenza dell'aria di scarico con gli altri scarichi.

L'angolo massimo di ciascuno scarico che entra in quello principale non deve superare i 30°.

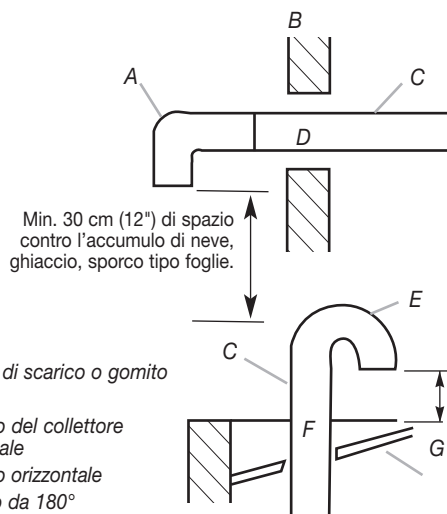


A. Scarico asciugatrice singola
B. Scarico principale

Tenere le aperture dell'aria libere da fumi dei fluidi della pulizia a secco. I fumi generano acidi, che quando passano attraverso le unità di riscaldamento dell'asciugatrice, possono danneggiare asciugatrici e carichi in fase di asciugatura.

Posizionare un coperchio a sifone sullo scarico principale per la pulizia periodica dell'impianto di scarico.

Se è impossibile utilizzare una cappa di scarico:



A. Cappe di scarico o gomito
B. Parete
C. Scarico del collettore principale
D. Scarico orizzontale
E. Gomito da 180°
F. Scarico verticale
G. Tetto

61 cm (24") min. oltre il punto più alto dell'edificio

L'estremità esterna dello scarico principale deve essere dotato di un gomito diretto verso il basso. Se lo scarico principale si sposta verticalmente sul tetto, piuttosto che sulla parete, installare un gomito da 180° sull'estremità dello scarico almeno 61 cm (2 piedi) oltre il punto più alto dell'edificio. L'apertura sulla parete o sul tetto devono avere un diametro da 1,3 cm (1/2") maggiore di quello dello scarico. Centrare lo scarico nell'apertura.

Non installare filtri o tappe oltre l'estremità dello scarico.

ISTRUZIONI D'INSTALLAZIONE - ASCIUGATRICE ELETTRICA

Installazione dei piedini di regolazione

AVVERTENZA

Rischio di altezza eccessiva

Per spostare e installare l'asciugatrice occorrono due o più persone.

La mancata osservanza può risultare in lesioni alla schiena o di altro tipo.

NOTA: far scivolare l'asciugatrice su cartone o pannelli prima di spostarla per evitare di danneggiare il pavimento.

1. Per spostare l'asciugatrice alla posizione di installazione occorrono due o più persone.
2. Rimuovere il nastro dagli angoli anteriori dell'asciugatrice. Aprire l'asciugatrice e rimuovere le confezioni contenenti la documentazione e i componenti. Pulire a fondo la parte interna del tamburo con un panno umido.
3. Prendere due angoli di cartone della confezione e posizionarli sul pavimento nella parte posteriore dell'asciugatrice. Afferrare saldamente il corpo dell'asciugatrice distendendola sulla parte posteriore sugli angoli di cartone.
4. Reggendo uno dei piedini, controllare le creste cercando il segno a forma di diamante. È questo il modo in cui il piede deve entrare nel foro.
5. Cominciare ad avvitare a mano i piedi di regolazione nei fori (utilizzare una piccola quantità di liquido detergente per lubrificare le filettature, per rendere più semplice il movimento di rotazione). Utilizzare una chiave o una chiave a tubo da 25 mm (1") per completare l'avvitamento dei piedi fino a raggiungere il segno a forma di diamante. Posizionare una protezione sotto ciascun piede.
Sollevare l'asciugatrice.
6. Rimuovere il cartone o il pannello rigido. Regolare i piedi dell'asciugatrice verso l'alto o verso il basso fino a quando l'asciugatrice non è a livello.

Connessione elettrica

AVVERTENZA



Pericolo di scossa elettrica

L'asciugatrice deve essere messa a terra.

Serrare in modo saldo tutte le connessioni elettriche.

La mancata osservanza di queste precauzioni può provocare la morte, incendi o scosse elettriche.

Si tratta di un'asciugatrice a tre fili da mettere a terra.

L'asciugatrice è sprovvista di cavo elettrico e presa, la connessione deve essere eseguita da un elettricista esperto. Consultare i "Requisiti elettrici".

Connessione dello scarico

1. Utilizzando un morsetto da 102 mm (4"), connettere lo scarico all'uscita di scarico dell'asciugatrice. Se si collega a uno scarico esistente, verificare che lo scarico sia pulito. Lo scarico dell'asciugatrice deve trovarsi fuori l'uscita dello scarico e all'interno della cappa di scarico. Verificare che lo scarico sia fissato alla cappa tramite un morsetto da 102 mm (4").
2. Spostare l'asciugatrice nella posizione finale. Non piegare o attorcigliare lo scarico. Verificare che lo scarico sia a livello.

Completamento dell'installazione

1. Quando l'asciugatrice si trova nella posizione finale, posizionare un livello sulla parte superiore prima da destra a sinistra e poi dalla parte anteriore a quella posteriore. Se l'asciugatrice non è a livello, regolare i piedini verso l'alto

o verso il basso.

2. Accendere l'alimentazione.
3. Controllare il funzionamento dell'asciugatrice (sul timer può essere presente tempo accumulato a causa dei test di fabbrica).

Inserire le monete e premere lentamente lo scivolo (il tempo operativo si accumula in base al numero di monete e al tipo di camma di fase utilizzata). Premere il pulsante START/RESTART. Utilizzando un ciclo di riscaldamento completo (non il ciclo ad aria), lasciare l'asciugatrice in funzione per almeno cinque minuti. Quando il tempo è trascorso l'asciugatrice si ferma.

NOTA: chiudere lo sportello dell'asciugatrice per consentirle di funzionare. Quando lo sportello è aperto l'asciugatrice si ferma ma il timer continua ad funzionare. Per riavviare l'asciugatrice, chiudere lo sportello e premere il pulsante START/RESTART.

4. Se il tempo di asciugatura è troppo lungo, verificare la pulizia del filtro in garza.
5. Avviare l'asciugatrice e far completare il ciclo di riscaldamento (non il ciclo dell'aria) per verificarne il funzionamento corretto.

ISTRUZIONI DI MANUTENZIONE

Istruzioni di manutenzione:

- Pulire il filtro in garza dopo ogni ciclo.
- Rimozione della garza accumulata:
 - Dalla parte interna dell'asciugatrice:
Rimuovere la garza ogni 2 anni o più spesso, in base all'utilizzo dell'asciugatrice. La pulizia deve essere eseguita da personale qualificato.
 - Dallo scarico:
Rimuovere la garza ogni 2 anni o più spesso, in base all'utilizzo dell'asciugatrice.

Se l'asciugatrice non funziona controllare che:

- L'alimentazione elettrica sia connessa.
- L'interruttore di circuito non sia scattato o il fusibile non sia bruciato.
- Lo sportello sia chiuso.
- I comandi siano in posizione "ON" o siano attivati.
- Il pulsante START sia stato premuto.

Per l'assistenza:

Contattare il rivenditore autorizzato di asciugatrici Commerciali Maytag. Al momento della chiamata, tenere a portata di mano il numero del modello e il numero di serie della lavatrice riportati sulla targhetta situata sull'elettrodomestico oppure visitare il sito www.MaytagCommercialLaundry.com.

